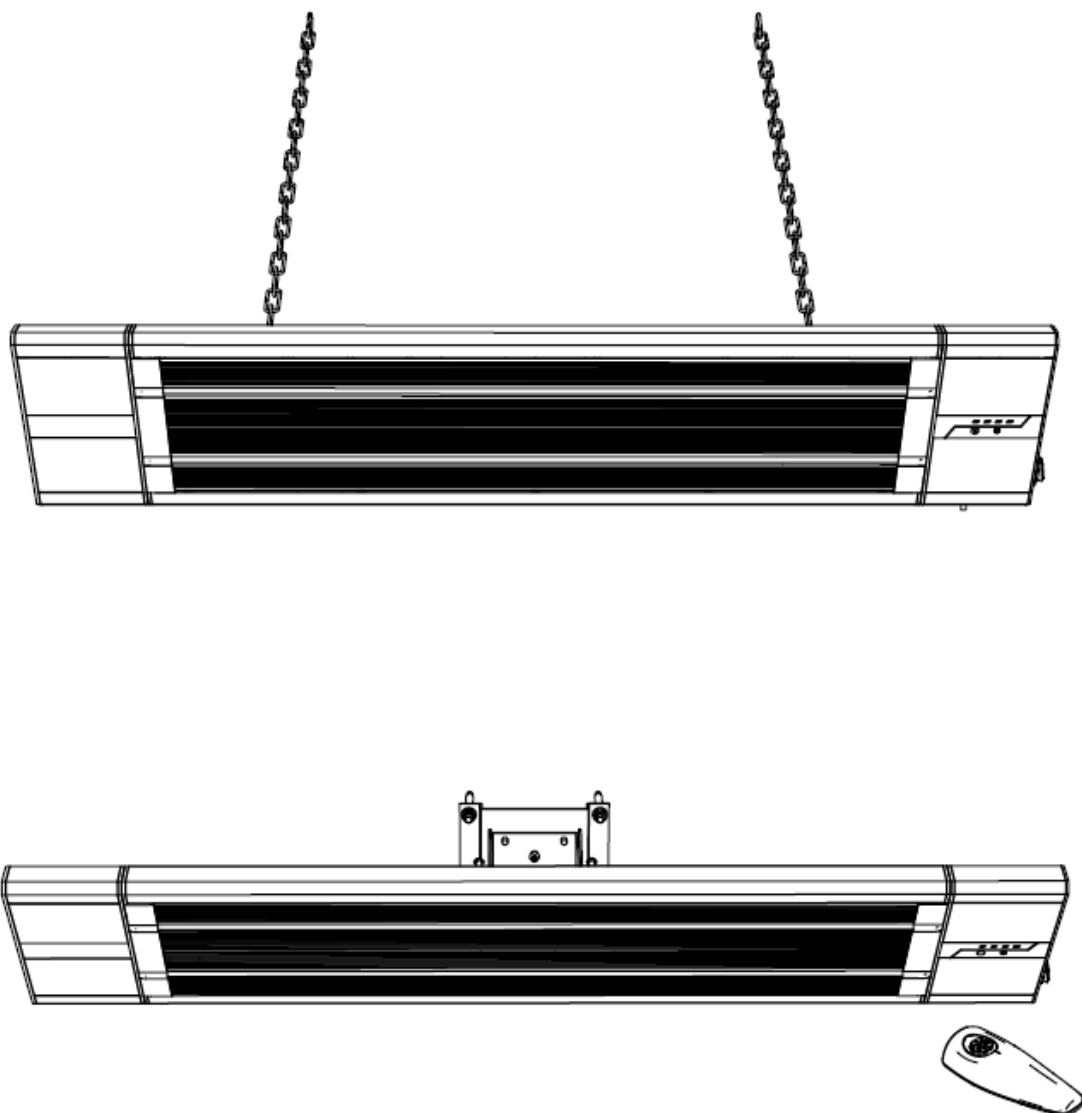


## Radiant Heater WDH-180DS (Dark Radiator WDH-180DS)



Dear Customer,

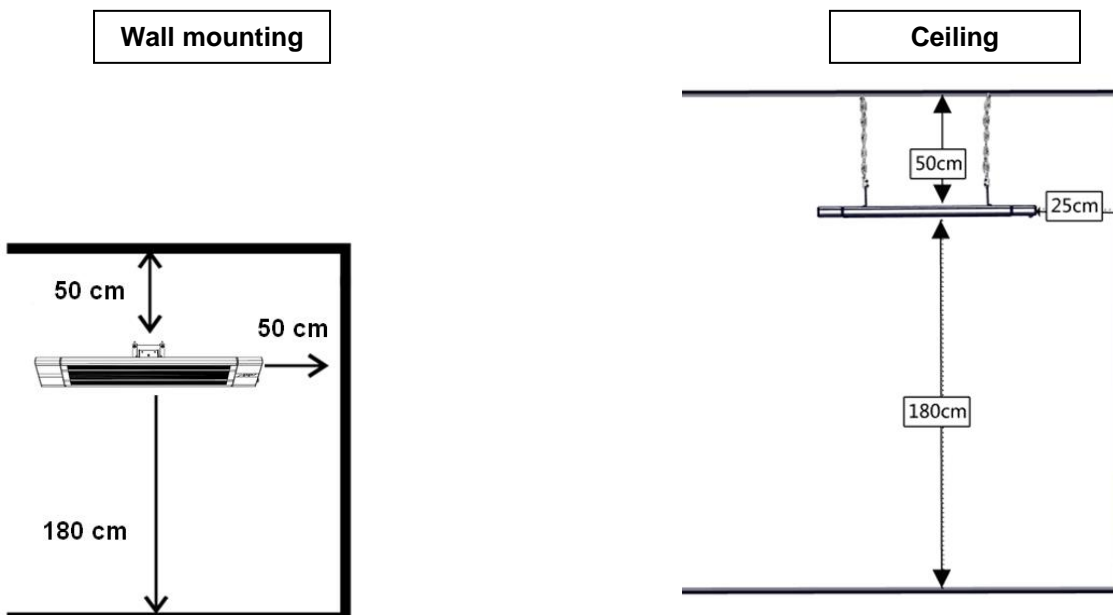
You have chosen a high-quality product. To ensure that you get a lot of enjoyment from this product, here are a few more tips:

**In case of any problems:**

We hope that the unit meets your expectations! If, despite the greatest possible care, there should ever be cause for complaint, please contact us briefly, as we are very concerned about your satisfaction and would like to clear up any misunderstanding.

## Important safety instructions:

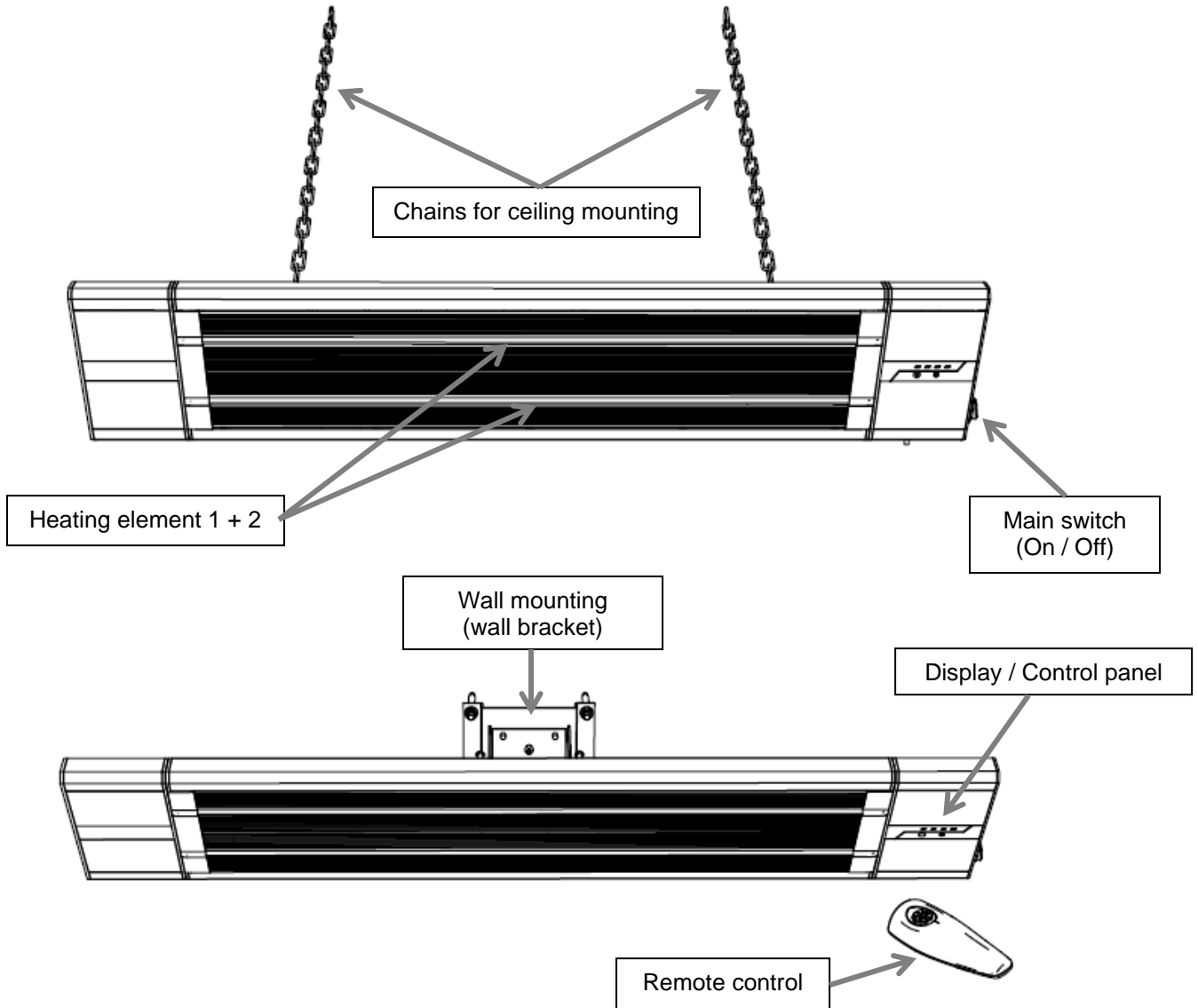
- Please note that the radiant heater can become very hot during operation, so keep a sufficient distance at all times. Especially away from flammable or easily combustible objects! Never touch the heating head during operation!
- Do not place/mount the radiant heater directly next to a power socket !
- Never use the radiant heater on moving surfaces, objects or vehicles ! There is a risk that the radiant heater may tip over.
- It is recommended to use a separate power source (socket) to supply the radiant heater. (Please do not use multiple sockets for operating the radiant heater).  
Furthermore, please ensure that the power cable is always laid with sufficient distance to the heat source.
- Supervise the radiant heater when children are near the appliance !
- Watch out for electricity, never walk into or insert objects into the appliance !
- Do not place any objects on or directly in front of the radiant heater !
- Please ensure sufficient space/clearance around the unit !
- Only qualified personnel or electricians are allowed to open the unit !
- Make sure that no moisture gets into the unit !
- The radiant heater must not be used in the direct vicinity of bathtubs, washbasins or swimming pools !
- Only use the recommended voltage for operating the unit !
- Make sure that the power cable is unfolded (untied) before connecting it to the socket !
- Make sure that the plug is cleanly and properly connected to the socket before using the appliance !
- Never reach near the plug or socket with wet hands !
- Do not repair defective or damaged cables on the unit yourself, you could get a severe electric shock !
- Make sure that highly flammable substances (e.g. gases/oils etc.) are never in the vicinity of the unit !
- Ensure that the area on and around the unit remains free of dust, cobwebs and similar dirt at all times to prevent accidental ignition (fire) !
- If the connecting cable of this appliance is damaged, it must be replaced by the manufacturer or its after-sales service or a similarly qualified person in order to avoid hazards.
- This appliance is not intended to be used by persons (including children) with reduced physical, sensory or mental capabilities, or lack of experience and/or knowledge, unless they have been given supervision or instruction concerning use of the appliance by a person responsible for their safety.
- If you are not going to use the unit for a long time, switch it off and disconnect the mains plug !
- Please always keep sufficient distance to walls, ceilings, floors and objects. We recommend the following minimum distances depending on the material:



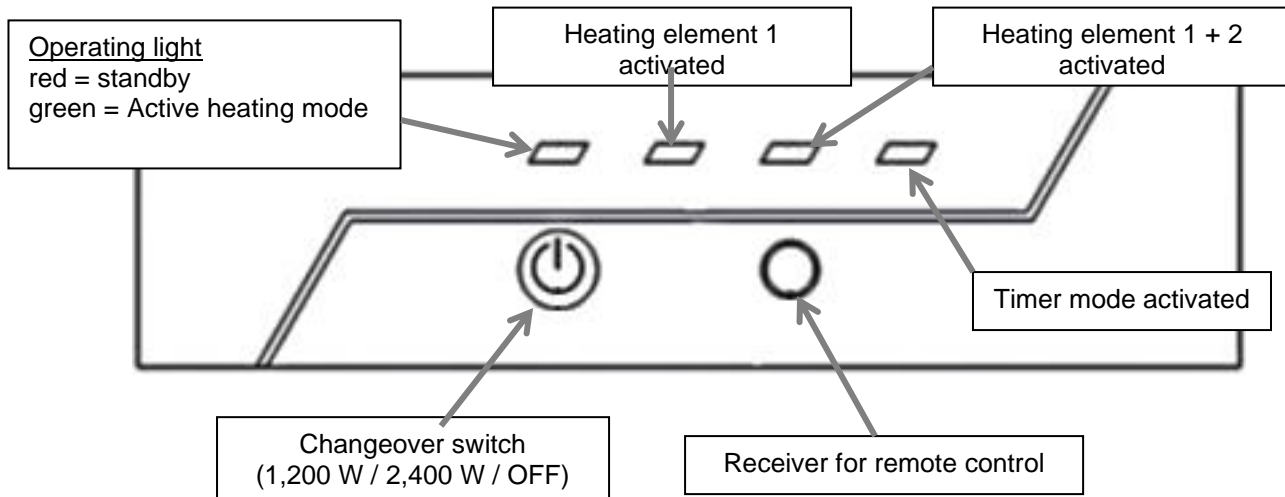
Please switch off the unit immediately and disconnect it from the power supply if something seems to be wrong! In this case, please contact a specialist and do not try to repair the unit yourself!

**Example:** House fuse has blown out during operation of the radiant heater.

## Description of the unit parts:

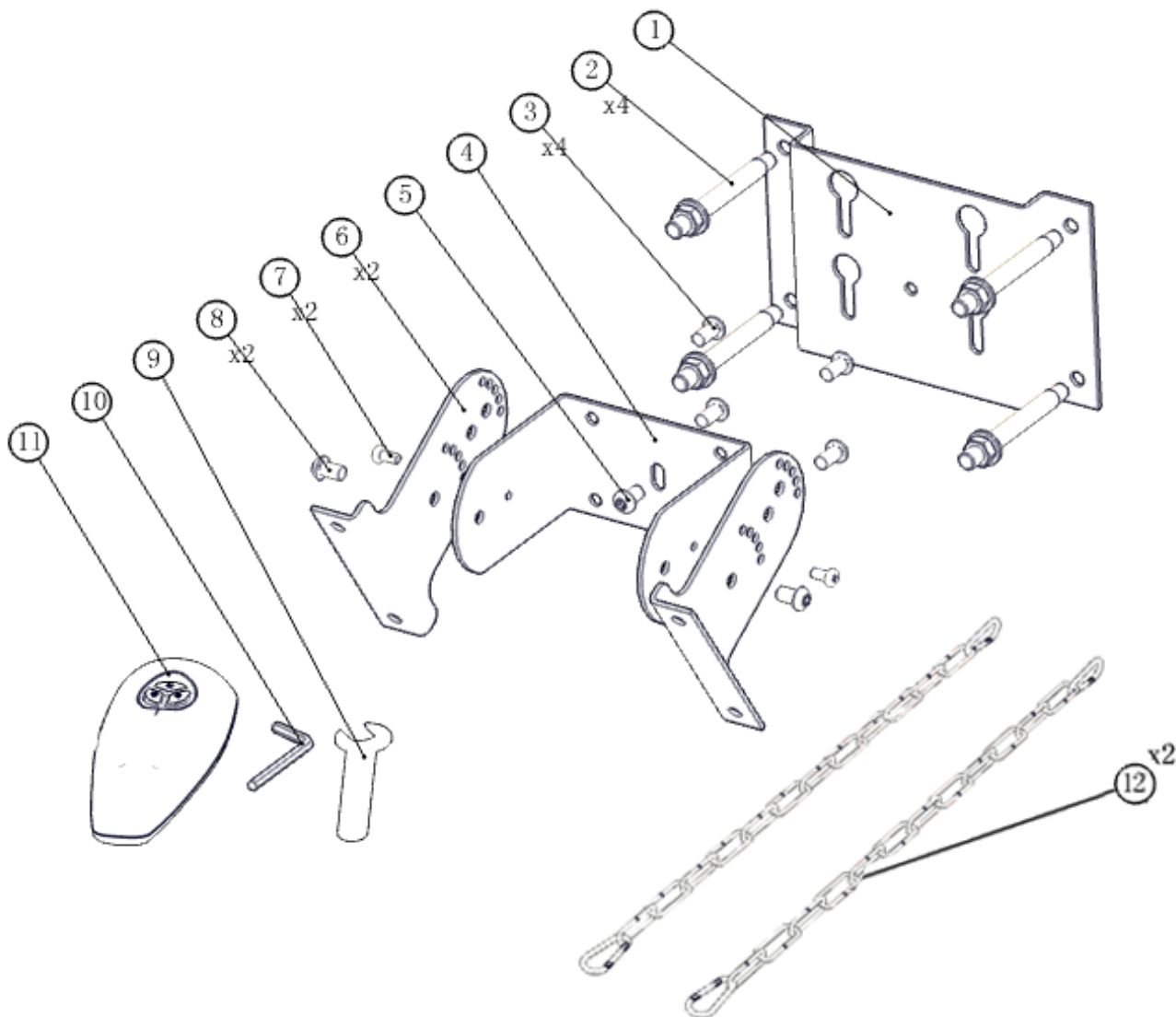


## Detailed view of display / control panel:



## Assembly instructions:

Remove the supplied small parts bag, the wall bracket, the bracket fork, the two bracket arms and the two fastening chains from the packaging.

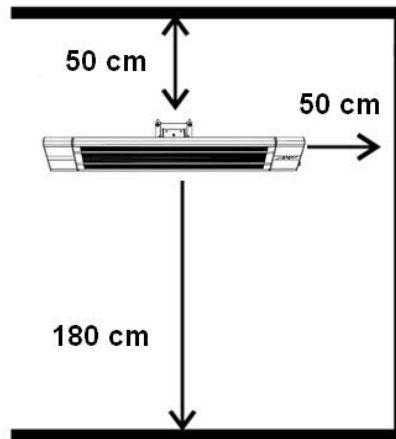


## Explanation of diagram (scope of delivery accessories):

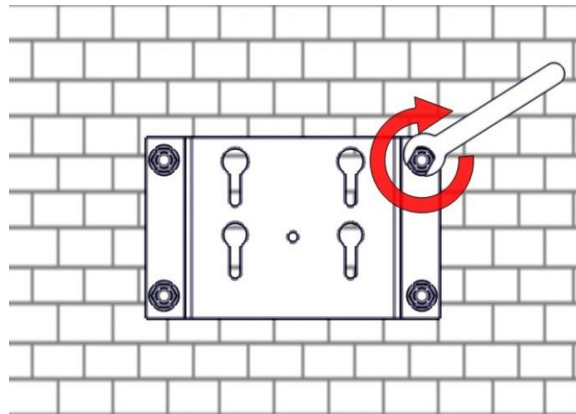
1. Wall mount
2. Fixing bolt (4 x)
3. Suspension screws for bracket fork (4 x)
4. Holding fork
5. Locking screw for bracket fork
6. Bracket arm (2 x)
7. Fixing screws (angle) between bracket arm and bracket fork (2 x)
8. Fixing screws (axle) between bracket arm and bracket fork (2 x)
9. Spanner
10. Allen key
11. Remote control (without batteries)
12. Mounting chain for ceiling mounting (2 x)

## 1. Mounting on the wall (wall mounting)

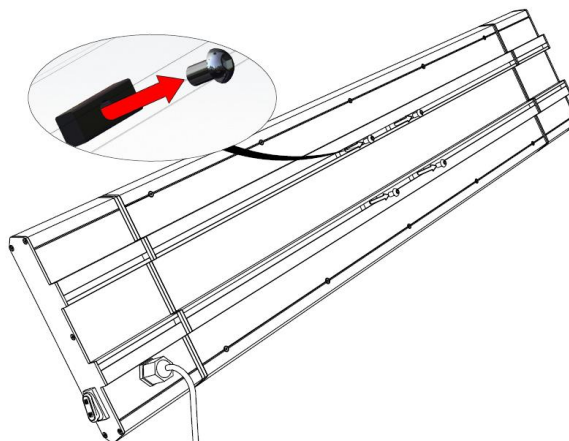
- 1.1. Select the appropriate location for mounting the wall bracket. Observe the safety instructions and also the following minimum distances:



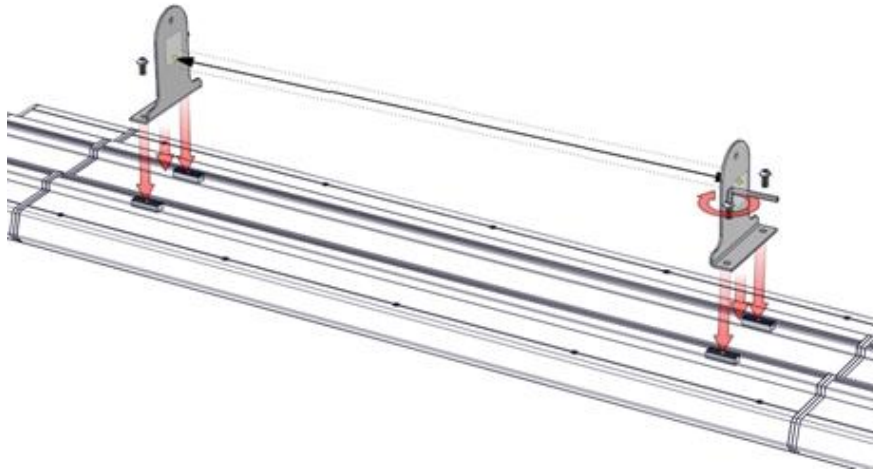
- 1.2. Now take the wall bracket (1) included in the delivery and mark the four drill holes (one drill hole for each corner) on the wall. Make sure that the wall bracket is seated straight!
- 1.3. Now completely drill four (4) holes of at least 8 mm into the wall.
- 1.4. Take the correct wall plugs/screws according to the wall condition and then fix the wall bracket of your radiant heater properly to the wall provided.



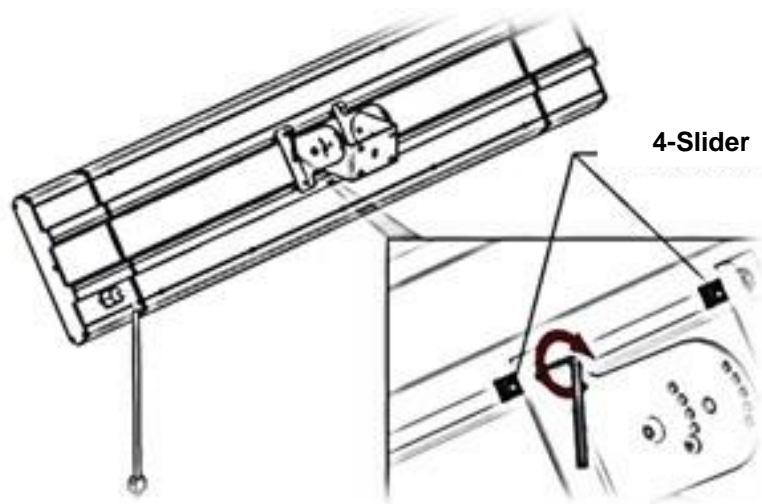
- 1.5. Now remove the four fixing allen screws for the bracket arms which are already pre-mounted on the back of the heating head.



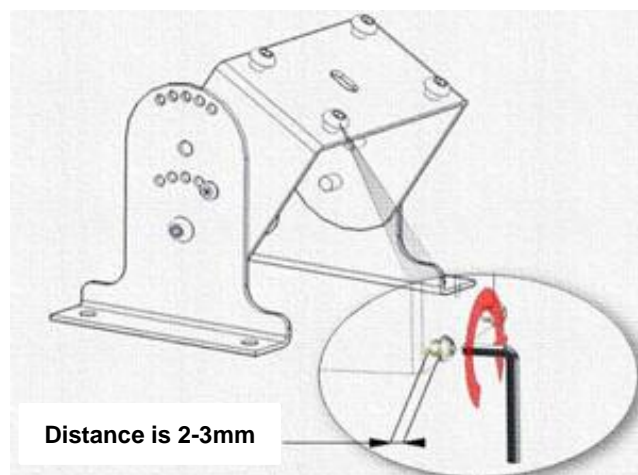
- 1.6. Then use them to mount the two bracket arms (6) directly on the heating head. Please do not tighten the Allen screws yet, so that it is still possible to move the bracket arms.



- 1.7. Now connect/assemble the bracket fork (4) to the bracket arms (6) on the inside. Use the two fastening screws (axle) (8) for each. Make sure that the holder arms are attached to the holder fork from the outside. Now tighten the four Allen screws on the heating head so that the bracket sits in the centre of the heating head and can no longer slip !

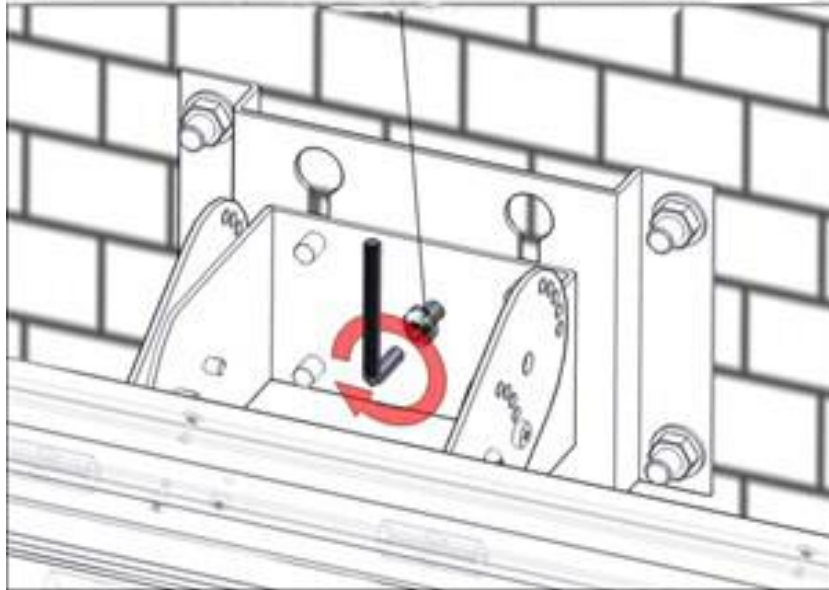


- 1.8. Now attach the four suspension screws (3) to the outside of the bracket fork (4). Leave enough space for the screw head so that it can be hooked into the wall bracket (1) without any problems!

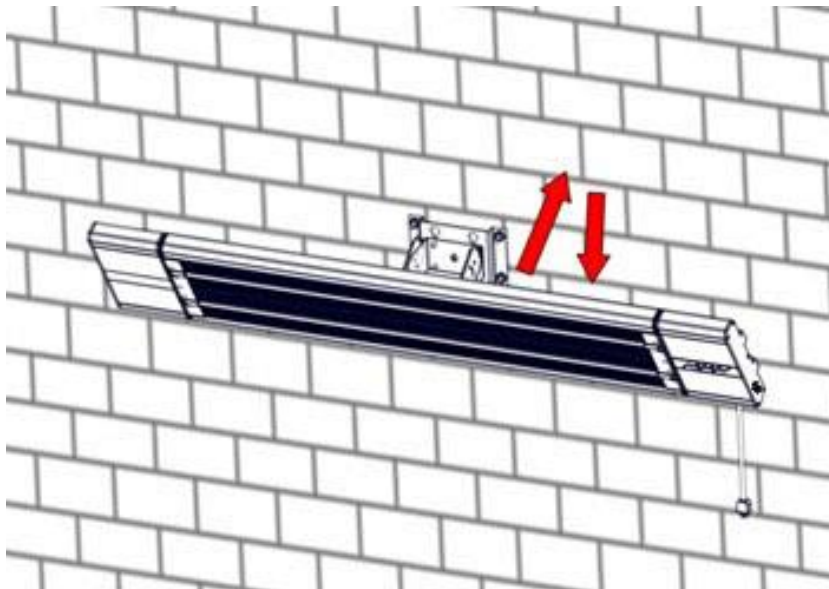


- 1.9. Now hang the heating head with the bracket fork into the wall bracket.
- 1.10. Now you have to secure the bracket fork to the already mounted wall bracket with the locking screw (5) !

## M6 \* 10 safety screw

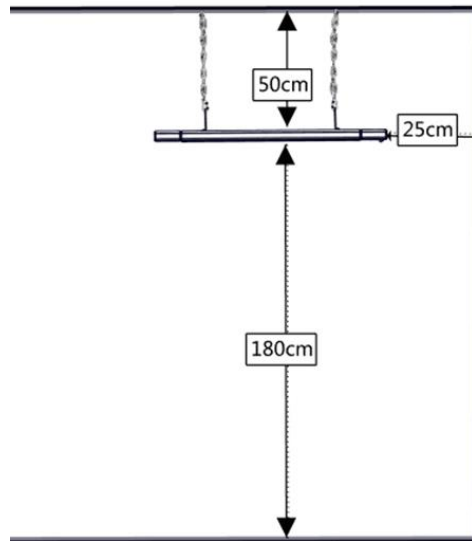


- 1.11. Now choose a suitable angle for the heating head and finally screw in the fastening screws (angle) (7) from the side as desired between the bracket arm and bracket fork.

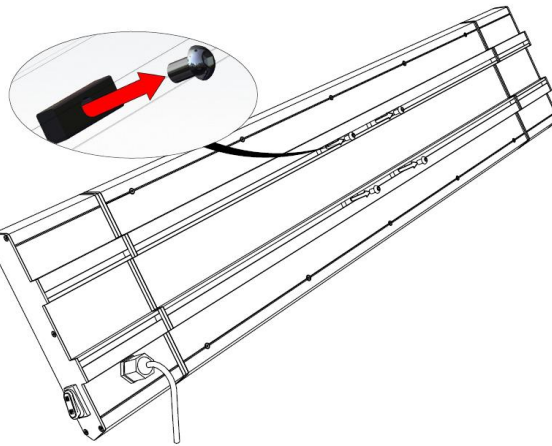


## 2. Mounting on the ceiling (ceiling mounting)

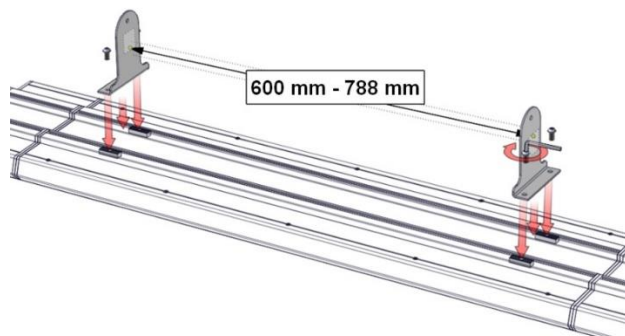
- 2.1. Select the appropriate location for mounting on the ceiling. Observe the safety instructions and also the following minimum distances:



- 2.2. Now remove the four fixing allen screws for the bracket arms which are already pre-mounted on the back of the heating head.

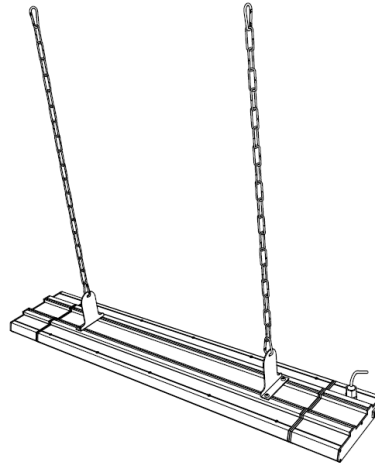


- 2.3. Then use them to mount the two bracket arms (6) directly on the heating head. Please do not tighten the Allen screws yet, so that the bracket arms can still be moved. Now adjust/move the holder arms in their guide rail so that they have an even distance in the range of 600 mm to 788 mm.





- 2.4. Now attach a chain (12) to each support arm (6) by hooking a carabiner into the central hole of the support arm.



- 2.5. Attach the correct counter suspension to the ceiling according to the ceiling condition (not included in the scope of delivery). If the ceiling is suitable, we recommend attaching the following counter suspension to the ceiling:

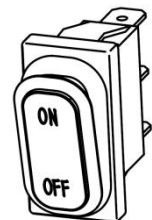


- 2.6. Now simply hook the heating head with the desired chain length into the counter suspension (carabiner). Finally, please check that the heater is straight and properly seated! Now you can start the heating operation.

## Instructions for use:

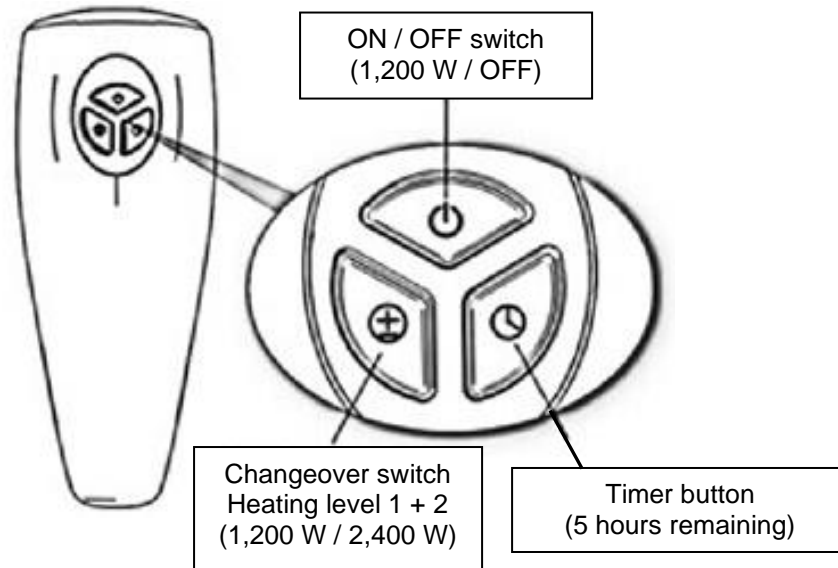
### 3. Commissioning

- 3.1. Insert the mains plug properly into the socket.
- 3.2. Switch the unit on at the main switch to readiness for operation. The unit then signals that it is ready for operation by the red operating light lighting up.
- 3.3. The unit switch is located under the red operating light. You can use this to switch the operation in the following sequence (circuit):
- Stage 1 (1,200 Watt heating power) > Operating light green + heating light 1 lights up blue
  - Level 2 (2,400 Watt heating power) > Operating light green + heating light 1 + 2 light blue
  - From



## 4. Remote control

- 4.1. You can also control all settings and functions of your radiant heater with the remote control included in the delivery. However, the main switch of the radiant heater must be switched on for these purposes. The remote control requires two AAA (micro) batteries (not included) !



## 5. Timer

The radiant heater is equipped with a timer (timer function). The timer allows you to set a remaining time of 5 hours for the unit. After that, the unit switches off the heating function independently. This function can only be activated with the remote control ! (See the above diagram of the remote control).

## 6. Cleaning & Storage

Always unplug the heater from the mains and allow it to cool down completely before cleaning it!

### 6.1. Cleaning the heating head:

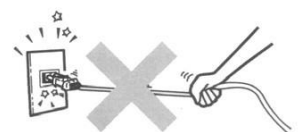
- Use a soft and damp cloth to clean the outside of the housing.
- Only use mild cleaning agents to clean your radiant heater.
- Also, make sure that no aggressive cleaning agents are used, they can damage your appliance !
- Please make sure that no water gets inside your radiant heater at any time !

### 6.2. Storage:

- We recommend that you repack the unit in its original box for storage.
- Store the radiant heater in a dry and sufficiently ventilated place/space.

## 7. Other important operating instructions

- 7.1. When starting the heating operation, there is a brief cracking noise at the heating head during the heating phase ! This is normal and does not represent a malfunction.
- 7.2. This radiant heater has a slow heating effect. It takes approx. 10 minutes until the full heating power is reached.
- 7.3. Do not disconnect the mains plug by pulling on the power cable !
- 7.4. Do not use insect repellent, oil spray, paint spray, etc. near the heater. This may cause damage to the unit or even fire !
- 7.5. Do not place the appliance on sloping or uneven ground !
- 7.6. Make sure that the mains cable never runs in front of the radiant heater or that the mains cable is not wrapped around the heating element.
- 7.7. Do not operate the radiant heater with a timer or similar control. This may result in damage to the appliance or even fire.
- 7.8. Although the radiant heater is protected against splashing water (IP55), do not use it in rain showers and/or other wet conditions !



## Technical data

<b>Model name:</b>	WDH-180DS
<b>Voltage:</b>	220V - 240V / 50Hz
<b>Max. Power consumption:</b>	2,400 W (10.9 A)
<b>Dimensions of the heating head (H/W/D):</b>	230 x 1100 x 60 mm
<b>Mode of action:</b>	Inert
<b>Maximum effective range:</b>	2,5 m
<b>Waterproofness:</b>	IP55
<b>Weight:</b>	6,6 kg

*There may be deviations in the technical data!*

## Troubleshooting:

### The heating effect / heating range is not sufficient

The dark radiant heater uses a special heating principle that is relatively energy-saving and at the same time does not produce any disturbing light. As a result, the unit is classified as "inert" in its operating principle. The full heating power is therefore only reached after approx. 10 minutes of operation. The maximum effective range is approx. 2.5 metres. However, wind and draughts can shorten the effective range, so that we recommend indoor and/or wind-protected outdoor areas as the area of application !

## Other

### **Warranty statement:**

Notwithstanding the statutory warranty claims, the manufacturer grants a warranty in accordance with the laws of your country, but at least 1 year (in Germany 2 years for private individuals). The warranty begins on the date of sale of the appliance to the end user.

The guarantee only covers defects that are due to material or manufacturing faults.

Warranty repairs may only be carried out by an authorised customer service. To make a warranty claim, please enclose the original sales receipt (with date of sale).

Excluded from the guarantee are:

- Normal wear
- Improper applications, such as overloading the appliance or non-approved accessories.
- Damage due to external influences, use of force or foreign objects
- Damage caused by non-observance of the operating instructions, e.g. connection to an incorrect mains voltage or non-observance of the assembly instructions.
- Completely or partially dismantled units

## Conformity:

The radiant heater has been tested and itself and/or parts thereof have been manufactured under the following (safety) standards:

### GS" tested by Dekra, IECEE certified and of course with CE (LVD + EMC) conformity.

Tested safety according to:	EN 60335-1:2012+A11:2014 EN 60335-2-30:2009+A11:2012 EN 62233:2008 AfPS GS 2014:01 PAK
CE (LVD) Conformity tested according to:	EN 60335-1:2012+A11:2014 EN 60335-2-30:2009+A11:2012 EN 62233:2008
CE (EMC) conformity tested according to:	EN 55014-1:2006+A1:2009+A2:2011 EN 55014-2:1997+A1:2001+A2:2008 EN 61000-3-2:2014 EN 61000-3-3:2013
IECEE (CB System) Certified according to:	60335-1 (ed.5) 60335-2-30 (ed.5)

## Correct disposal of this product:



Within the EU, this symbol indicates that this product should not be disposed of with household waste. Waste equipment contains valuable recyclable materials that should be recycled. Furthermore, the environment or human health should not be polluted by uncontrolled waste disposal. Therefore, please dispose of old appliances via suitable collection systems or send the appliance for disposal to the place where you purchased it. They will then recycle the appliance.



I wish you much pleasure with this appliance.

***Your Aktobis AG***

***Keep these instructions for use in a safe place !***